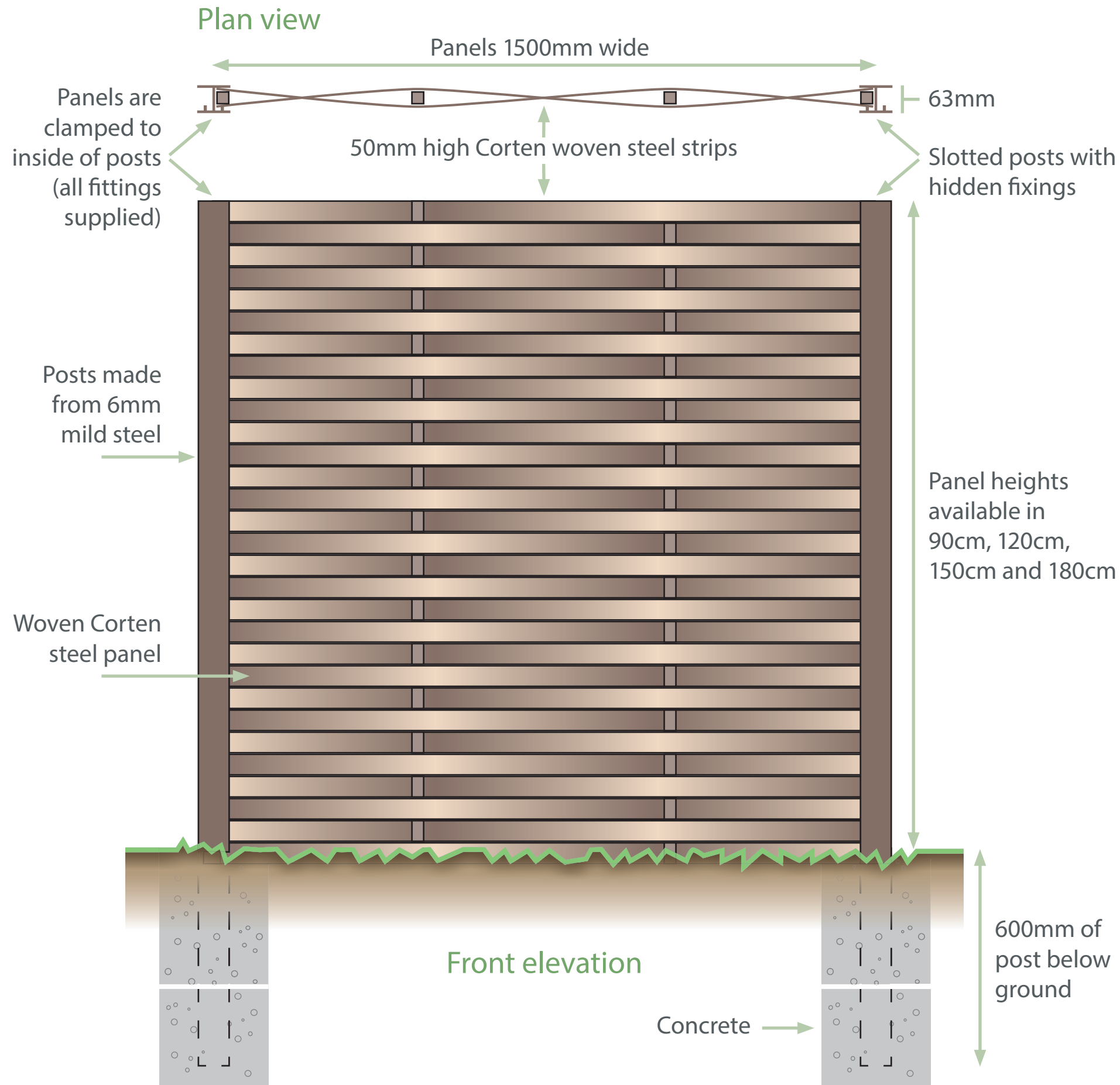


Self fit woven Corten steel fence panel specification drawing

Technical Drawing Version 1.6 - Scale 1:20

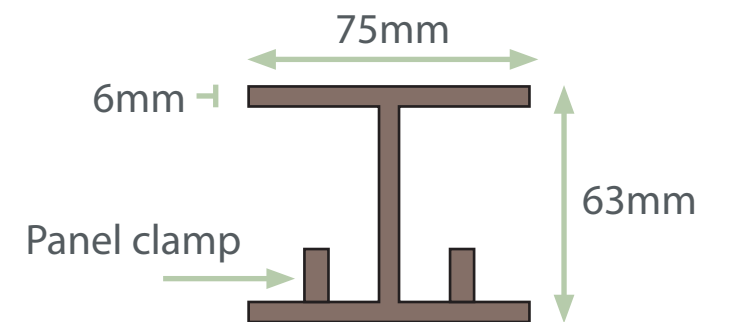


Post detail

Specially fabricated posts in untreated mild steel will weather the same brown tones as the Corten panels. Fixings inside the posts clamp the panels using a 13mm spanner.

Interim post

Plan view



End post

End posts have a flat back to provide a neat, flush end to a fence.

Plan view

