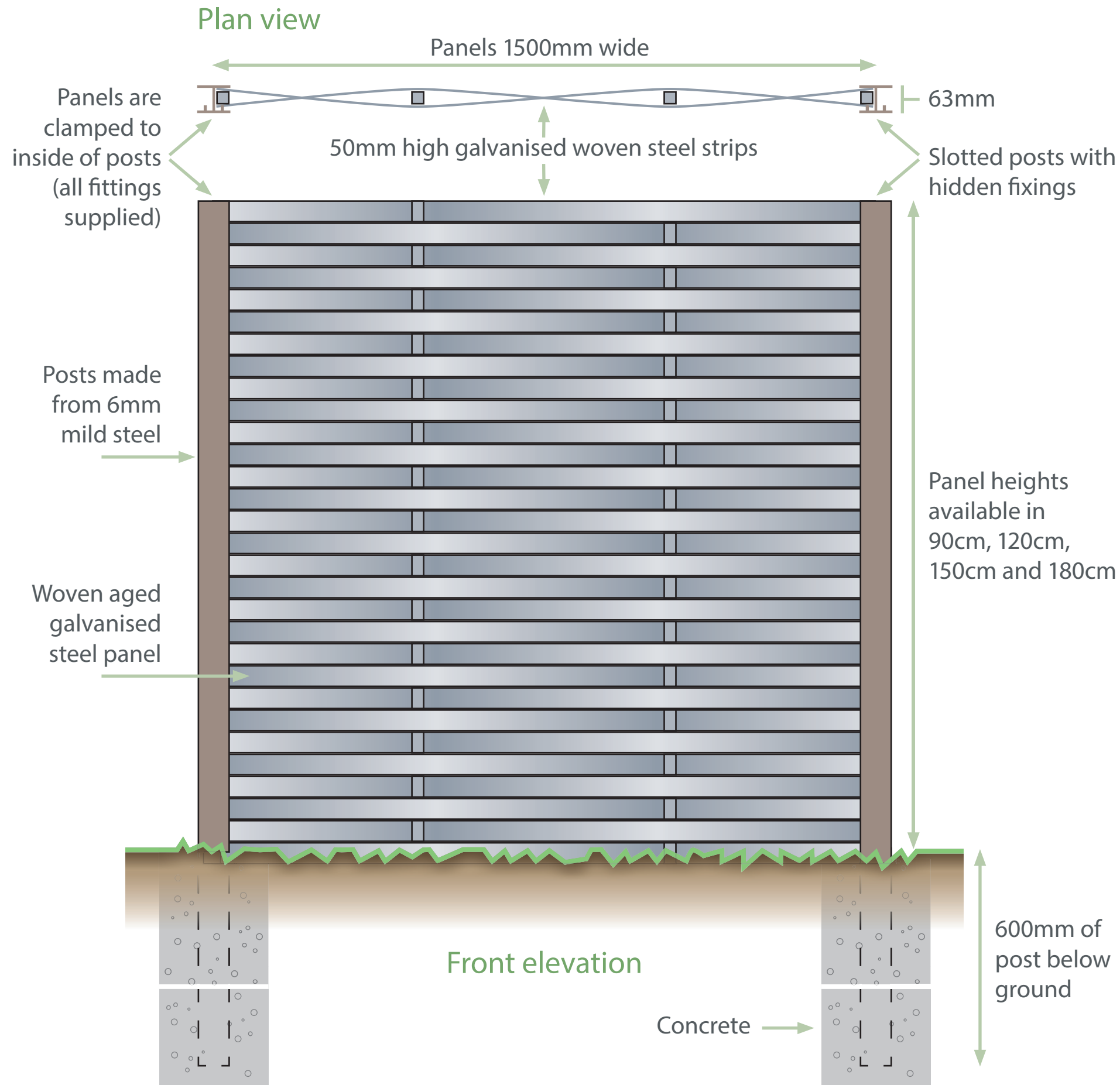


Self fit woven galvanised steel fence panel specification drawing

Technical Drawing Version 1.6 - Scale 1:20

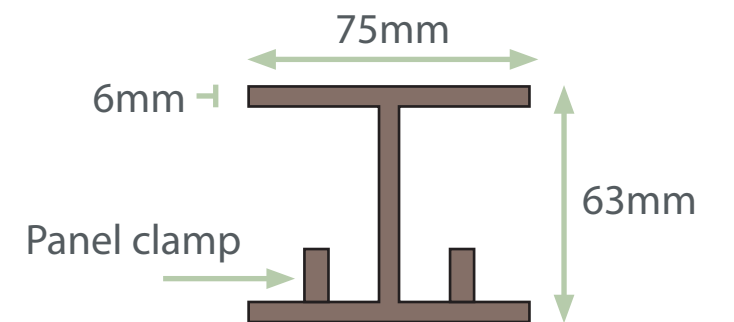


## Post detail

Specially fabricated posts in aged galvanised steel to match the panels. Fixings inside the posts clamp the panels using a 13mm spanner.

## Interim post

### Plan view



## End post

End posts have a flat back to provide a neat, flush end to a fence.

### Plan view

